

# X-LINE12

Portable Powered  
Column Array

VAL audio

Die Liebe zur Musik



## KEY FEATURES

- **ALL-in-One System:** Powered, portable column array with 2000W peak / 1000W RMS Class D amplifier
- **Optimized Design:** Aluminum column with six 3" neodymium drivers and one 1" high-frequency driver, paired with a 12" subwoofer delivering frequencies down to 35Hz
- **Exceptional Output:** Class-leading 132dB max SPL and wide 120° (H) x 40° (V) dispersion for consistent audience coverage
- **Comprehensive DSP:** Includes 4 presets, EQ controls, delay, high-pass filter, and master/input level monitoring via an intuitive LCD interface
- **Integrated Mixer:** 2-channel mixer with switchable mic/line inputs, Bluetooth with TWS, 3.5mm stereo input, and pre-DSP mix output
- **Quick Setup:** Unique "insert and twist" mechanism for cable-free assembly of the column and subwoofer
- **Portable and Lightweight:** 26kg system with integrated handle for easy transport

# X-LINE12

## Portable Powered Column Array

VAL audio

Die Liebe zur Musik



The VAL Audio X-Line12 all-in-one powered PA features an acoustically optimized column array featuring a 2-channel digital mixer, a full suite of professional DSP, class-leading audio connectivity and TWS Bluetooth functionality. Enjoy unmatched power, flexibility and performance in a sleek, compact package.

The system consists of a plywood, ported, powered subwoofer enclosure featuring a DSP enhanced, Bi-amp class D amplifier that houses a high power, high excursion 12" subwoofer capable of frequency output down to 35Hz. The aluminum column is secured to the subwoofer via an aluminium spacer both featuring an unique and innovative insert and twist mechanism. The Subwoofer spacer and column are secured to each other via this unique locking mechanism and form a single system. The signal is internally routed to the components via the spacer which serves both for connectivity between the subwoofer and array as well as securing the two together completely eliminating any cables and mounting hardware.

The column array consists of a lightweight aluminium enclosure housing six 3" neodymium drivers and one 1" high frequency driver. Coupled with the 12" subwoofer the system delivers a class leading 132dB max SPL. The seven drivers control high-frequencies with 120° of horizontal coverage and 40° of vertical coverage to ensure suitable output for all types of audiences and applications.

The X-Line12 features a comprehensive and integrated DSP and processing engine. It features master level control, input 1 & 2 level monitoring, four fixed DSP presets (DJ, Live, Music, Speech), delay, EQ (high, mid, low), high pass and LCD contrast all via an intuitive single rotary switch with LCD display enabling easy visual monitoring and access. Further it features a 2-channel mixer with switchable mic/line and 3.5mm stereo inputs via XLR/TRS combo connectors with individual gain control for each channel. Channel 2 is equipped with a sophisticated Bluetooth input featuring TWS (True Wireless Stereo) enabling a wireless stereo setup. The mixer also features a Pre-DSP mix output to daisy chain multiple powered systems.

Enjoy unmatched power and performance in a sleek, compact and lightweight package with fewer pieces of equipment using the X-Line12. Connect a microphone, instrument, mobile device and wireless rig using the simple I/Os and pro-grade XLR connectors and sophisticated in-built Bluetooth.

X-Line12 is ideal for DJs, musicians, entertainment venues, corporate presenters, rental companies and houses of worship. It's the perfect solution for anyone who demands best-in-class power, acoustic performance, control and connectivity in a stylish, full-featured column PA that's ideal for both installed and portable applications.

# X-LINE12

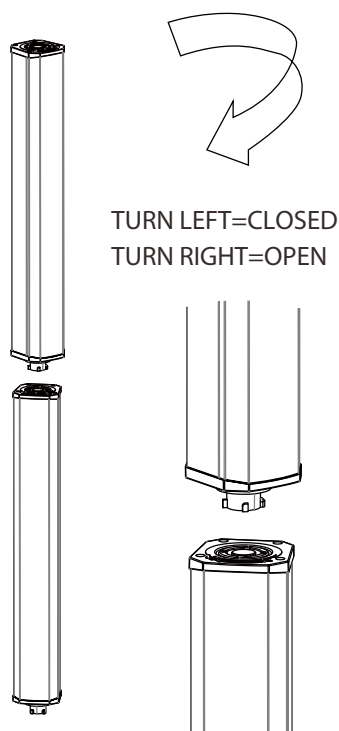
Portable Powered  
Column Array

**VAL** audio

Die Liebe zur Musik



## SPECIFICATIONS



System Type	Powered Column Speaker System
Frequency Response	35Hz - 20kHz
Maximum SPL	132 dB
Coverage (H x V)	120° x 40°
Power Amplifier	Class D, Bi-amp 2000W peak / 1000W RMS
Integrated DSP	Master level control Fixed 4 Presets EQ - High, Mid, Low Delay High pass
LCD Display	Integrated with brightness control
Low Frequency driver	1 x 12" (2" VC)
High Frequency driver	6 x 3" Neodymium + 1" HF driver
Crossover Frequency	170Hz
Connectors	2 x XLR/TRS combo switchable Mic/Line Inputs 1 x 3.5mm stereo Input 1 x Wireless Bluetooth (TWS) Input 1 x XLR Mix out
AC Power Input	230VAC, 50Hz
Input Power Consumption	At idle 24W, At full power: 225W
Enclosure	Subwoofer: Plywood Array Column: Aluminium Spacer: Aluminium
Grille	Steel with Black powder coating
Finish	Polyurea paint on subwoofer
Color	Matte Black
Dimension (HxWxD)	Subwoofer: 490 x 356 x 502 mm Array Column: 705 x 101 x 103 mm Spacer: 705 x 101 x 103 mm
Net Weight	Subwoofer: 20.55 Kg Array Column: 3.10 Kg Spacer: 2.35 Kg
Total System Net Weight	26 Kg