

WP12CX

High Performance Coaxial
Weatherized Speaker

VAL audio

Die Liebe zur Musik

| 12" Coaxial

| Weatherised

| UV resistant



The VAL Audio WP12CX is a premium-grade 12" two-way coaxial loudspeaker engineered for superior sound performance and durability in all-weather outdoor applications. Its coaxial point-source design with a 1" horn-loaded high-frequency driver ensures coherent dispersion, high output, and excellent clarity, making it ideal for both background and foreground music reinforcement in open spaces.

Housed in a robust injection-molded polymer enclosure, the WP12CX is built to endure the toughest environmental conditions. The cabinet material offers high resistance to UV degradation, while a powder-coated aluminum grille with five-layer protection shields the internal components from water and dust intrusion. Designed to meet IP56 standards, this loudspeaker delivers peace of mind in all outdoor - coastal, humid, or dusty environments.

All external hardware components are selected for long-term reliability, including stainless steel screws, brass-embedded mounting points, and waterproof silicone covers for the connectors. The sealed back panel and weatherproof input/output terminals further reinforce its environmental protection, allowing for uninterrupted performance in demanding outdoor conditions.

Supplied with a versatile U-bracket made of 316 stainless steel, the WP12CX offers flexible mounting options, making it easy to install in a variety of architectural and landscape settings where premium audio and weather resistance are non-negotiable.

KEY FEATURES

- 12" two-way coaxial loudspeaker designed for weather-resistant performance
- Robust injection-molded polymer cabinet for reliable operation in all-weather conditions
- Coaxial point-source design with horn-loaded configuration for delivering high sound pressure levels (SPL) 129dB peak
- Powder-coated aluminum grille with five-layer protection, ensuring superior water ingress prevention
- Designed to meet stringent IP56 weatherproofing standards for outdoor durability
- UV-resistant housing material for enhanced protection against prolonged sun exposure
- Corrosion-resistant components, including brass-embedded nuts, waterproof silicone covers, and stainless steel screws
- Sealed, dustproof, and waterproof back panel covers and connectors for maximum environmental protection
- Supplied with a versatile U-bracket made of 316 stainless steel for secure and flexible mounting options

APPLICATIONS

Ideal for a variety of outdoor environments where high-quality sound and rugged weather resistance are critical.

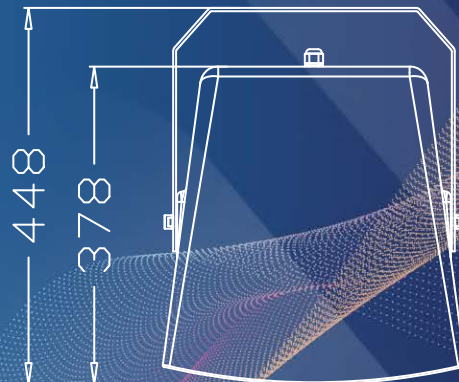
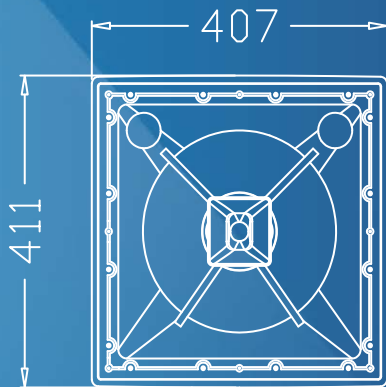
- Restaurants, bars, and beachside clubs
- Outdoor lounges and scenic venues
- Amusement and theme parks
- Near-field reinforcement in open-air plazas
- Outdoor hospitality zones and terraces
- Public paging and background music in exposed areas

WP12CX

High Performance Coaxial
Weatherized Speaker

VAL audio

Die Liebe zur Musik



SPECIFICATIONS

Power Handling	350W RMS / 700W Program / 1400W Peak
Nominal Impedance	8 ohms
Frequency Response (-10dB)	50Hz - 20KHz
Average Sensitivity	98dB (1W/1M)
Maximum SPL	123dB continuous / 126dB program / 129dB peak
Low Frequency driver	1 x 12" (3" voice coil) ferrite woofer
High Frequency driver	1 x 1" (1.7" voice coil) driver coaxially mounted
Crossover Frequency	2.2kHz passive
Dispersion (-6dB)	70° x 50°
Input Connectors	Covered barrier strip terminals
Size (WxHxD)	407mm x 411mm x 448mm
Net Weight	18 Kg
Gross Weight	20 Kg