

WP15CXL

High Performance Coaxial
Weatherized Speaker

VAL audio

Die Liebe zur Musik

| 15" Coaxial

| Line array

| Weatherised

| UV resistant



VAL audio WP15CXL is a 15" two-way coaxial all-weather Line Array speaker. It uses a special polymer compound injection molded cabinet and is specifically designed for anti-uv aging, dustproof and windproof. It features specially designed dustproof and waterproof cover for input and output and a five layer functional grille to prevent water and dust ingress. The speaker is designed to meet IP56 standard. The exposed metal parts are made of stainless steel or aluminum, and the mounting bracket is sprayed with low-carbon steel, which can meet all-weather use. It features a 1x15" ferrite mid-bass driver and coaxially mounted 1 x 3" voice coil HF driver on a 60°x25° waveguide. The WP15CXL unique design allows it to be used as a standalone speaker or in arrays of upto 4 speakers with additional flying hardware.

KEY FEATURES

- Two-way 15" coaxial weatherised Line Array loudspeaker
- Can be used as standalone or in arrays of upto 4 speakers with specialized hardware
- Polymer compound injection molded cabinet for all-weather use
- Coaxial point source, horn loaded design for high SPL
- Powder coated Aluminium grille with five layer protection to prevent water ingress
- Designed to meet IP56 standards
- UV resistant housing material
- Brass embedded nuts, waterproof silicon cover, stainless steel screws
- Dustproof and waterproof back panel covers and connectors
- Mounting U bracket included

APPLICATIONS

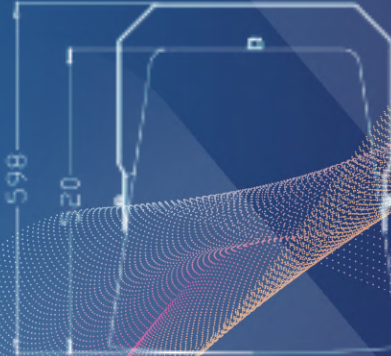
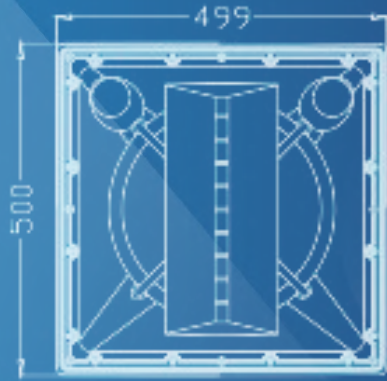
- Outdoor restaurants, bars, parks, near-field sound reinforcement of scenic areas, houseboats and seascides

WP15CXL

High Performance Coaxial
Weatherized Speaker

VAL audio

Die Liebe zur Musik



SPECIFICATIONS

Power Handling	400W RMS / 800W Program / 1600W Peak
Nominal Impedance	8 ohms
Frequency Response (-10dB)	45Hz - 20KHz
Average Sensitivity	103dB (1W/1M)
Maximum SPL	129dB continuous / 132dB Program / 135dB peak
Low Frequency driver	1 x 15" (3" voice coil) ferrite woofer
High Frequency driver	1 x 1.4" (3" voice coil) driver coaxially mounted on waveguide
Crossover Frequency	1.5kHz passive
Dispersion (-6dB)	60° x 25°
Input Connectors	Covered barrier strip terminals
Size (WxHxD)	499mm x 500mm x 598mm
Net Weight	29 Kg
Gross Weight	32 Kg

