

# iComm WM42T

High Performance Indoor / Outdoor  
Wall Mount Speaker

# VAL audio

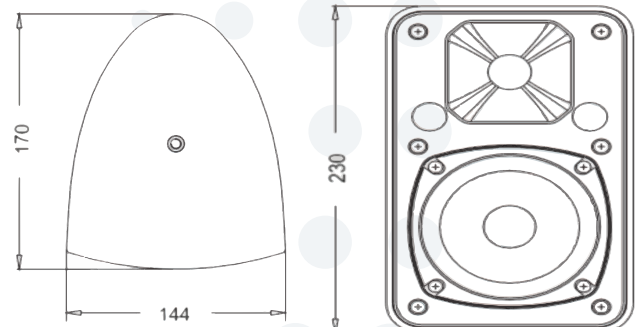
Die Liebe zur Musik



Upgrade your audio setup with the advanced VAL audio iComm WM42T indoor/outdoor monitor speaker, designed for high performance and resilience. Whether for home use, commercial spaces, or outdoor applications, this speaker delivers top-notch sound quality and durability, making it an ideal choice for any audio application.

- **High-Performance Audio:** Experience audiophile-grade sound quality with the WM42T high-definition, two-way monitor speaker, delivering exceptional clarity and precision for both indoor and outdoor environments.
- **Superior Sound Components:** Featuring a 4" low-frequency driver with rubber surround and a 0.8" dome tweeter, this speaker ensures smooth high-frequency response and robust low-frequency performance.
- **Versatile Operation:** Equipped with an in-built Line Matching Transformer (LMT) for 100V/16Ω operation and multiple power tapping options, this speaker offers versatile compatibility with various audio systems.
- **Innovative Design:** The speaker's design includes an easy-mounting swivel bracket, allowing for flexible installation and precise aiming of sound to achieve optimal coverage in any setting.

- **Durable Construction:** Constructed from high-quality, weatherized polymer injection molded material, the cabinet meets IP56 standards for durability, ensuring reliable performance in harsh outdoor conditions.
- **Complete Weatherproofing:** The speaker is fully weatherproof, wind-proof, and dustproof, featuring an anti-UV aging multilayer functional grille that protects against environmental elements, ensuring longevity and consistent performance.
- **Protected Input Terminals:** A dust-proof and waterproof back cover shields the input terminals, safeguarding the internal components from moisture and dust ingress.
- **Sleek Aesthetic:** Finished in a sleek Black colour, this speaker seamlessly integrates into various environments, providing both aesthetic appeal and exceptional sound performance.



# iComm WM42T

High Performance Indoor / Outdoor  
Wall Mount Speaker

# VALaudio

Die Liebe zur Musik

## APPLICATIONS

### Indoor Applications:

- **Offices:** Enhance audio clarity for presentations, conferences, and background music.
- **Museums:** Provide crisp and clear audio for exhibits and informational displays.
- **Home Theatres:** Create an immersive audio experience for movies and media.
- **Auditoriums:** Ensure excellent sound distribution for speeches, performances, and events.
- **Gymnasiums:** Deliver powerful audio for fitness classes and sporting events.
- **F&B Establishments:** Enhance the ambiance with high-definition audio for diners and patrons.
- **Retail Stores:** Enhance the shopping experience with clear, high-quality sound.

### Outdoor Applications:

- **Atriums:** Provide consistent and high-quality sound coverage in open spaces.
- **Poolside Areas:** Deliver robust, weather-resistant audio for poolside entertainment.
- **Patios:** Enhance outdoor gatherings with high-definition music and announcements.
- **Backyards:** Create an immersive audio environment for outdoor activities and parties.

## SPECIFICATIONS

Power Handling (AES Standard)	40W RMS / 80W Program / 160W Peak
Nominal Impedance	16 ohms
Frequency Response (-10dB)	70Hz – 20KHz
Average Sensitivity	88dB/W/m
Calculated Max SPL	104dB Continuous / 107dB Program / 110dBPeak
Low Frequency Driver	1 x 4" (100mm) / 1" voice coil
High Frequency Driver	1 x 0.8" (20mm) / dome tweeter
Crossover Frequencies	3.5kHz passive
Dispersion	120° x 90°
Input Connectors	Phoenix terminals
Transformer Tapping	10W / 20W / 40W / OFF / 16Ω
Cabinet	High quality weatherised polymer injection molded cabinet with rust proof multi-layer aluminium grille
Wall mount bracket	Easy mounting ball and socket swivel mount included
Outdoor Capable	Weatherised to meet IP56 standard
Size (WxHxD)	144 x 230 x 170mm
Net weight	2.7Kg