



KEY FEATURES

- V shape symmetric vented loading
- Driver mounting design maximizes cone area and minimizes frontal area
- 2400W RMS power handling
- 134dB continuous SPL and 140dB peak SPL High Output
- Premium European 18" LF driver with high excursion capacity for extended low frequency output
- Touring grade Baltic Birch plywood CNC cabinet
- Touring grade coating with textured black mat finish (Made in Europe)
- Extremely Compact footprint
- Provision for pole mounting top

APPLICATIONS

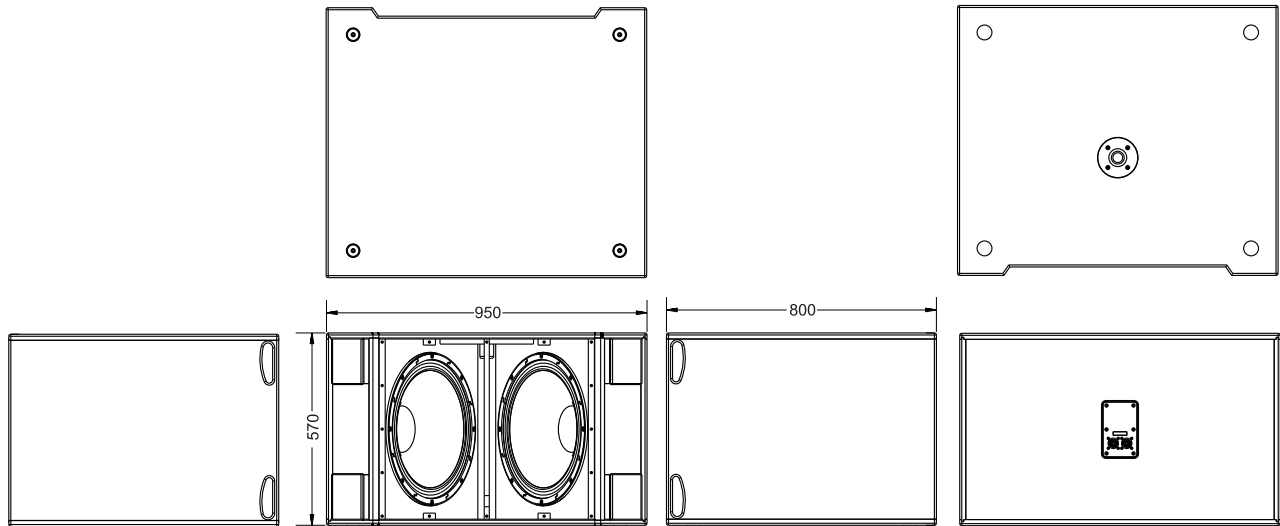
The SW 218s is a Dual 18" Touring Grade Subwoofer for bass reinforcement suitable for

- Medium to large scale PA systems
- Touring systems
- Permanent installation in large Club, Theater, Auditorium and other indoor venues
- DJ and mobile applications
- Side fills on stage

SPECIFICATIONS

Power Handling	2400W RMS 4800W Program / 9600W Peak
Nominal impedance	4 ohms
Frequency response -6dB half space	32Hz - 200Hz
Average Sensitivity	101dB/W/m
Calculated Maximum SPL / 1m	134dB continuous 137dB Program 140dB Peak
Recommended low cut filter	35Hz 24dB/oct
Recommended amplifier	Up to 4800W (no clip)
Low Frequency driver	Celto Acoustique 2x18" (4" VC long excursion)
Connectors	NEUTRIK Speakon NI4
Pole mount	35mm top hat
Cabinet	CNC made with tongue & groove assembly 15 and 18mm Russian birch plywood
Finish	Touring grade coating with textured black mat finish, Scratch Resistant coating
Size (WxHxD)	950x570x800mm 34.7"x22.5"x31.5"
Weight	86Kg (189.6lbs)

DRAWING



WIRING

