



KEY FEATURES

- V shape symmetric vented loading
- Driver mounting design maximizes cone area and minimizes frontal area
- 2000W RMS power handling
- 132dB continuous SPL and 138dB peak SPL High Output
- Premium European 15" LF driver with high excursion capacity for extended low frequency output
- Touring grade Baltic Birch plywood CNC cabinet
- Touring grade coating with textured black mat finish (Made in Europe)
- Extremely Compact footprint
- Provision for pole mounting top

APPLICATIONS

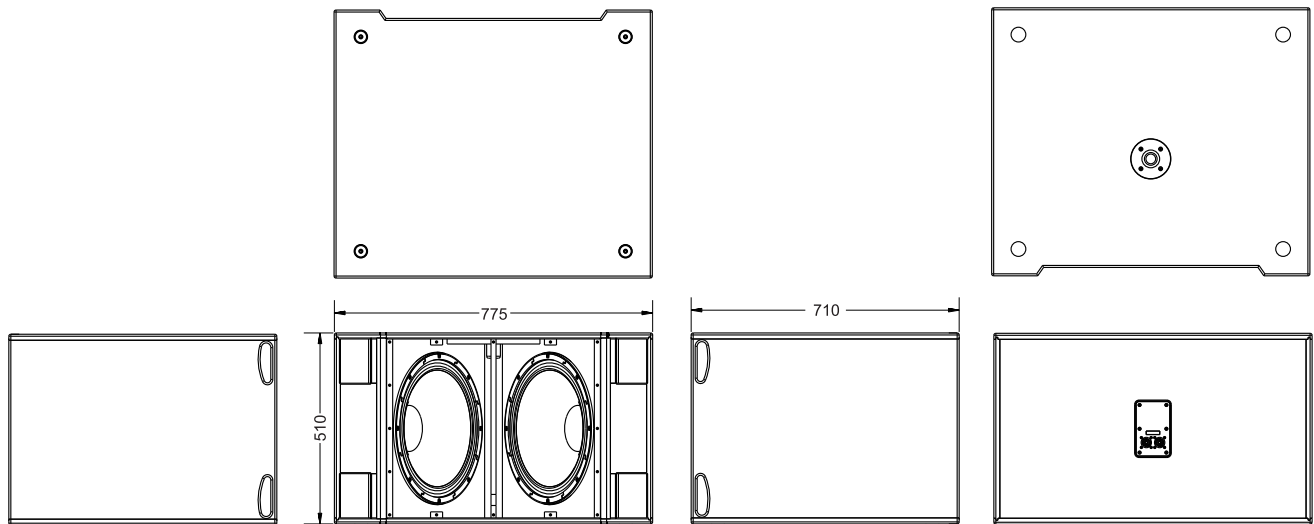
The SW 215s is a Dual 15" Touring Grade Subwoofer for bass reinforcement suitable for

- Medium to large scale PA systems
- Touring systems
- Permanent installation in large Club, Theater, Auditorium and other indoor venues
- DJ and mobile applications
- Side fills on stage

SPECIFICATIONS

Power Handling	2000W RMS (AES) 4000W Program / 8000W Peak
Nominal impedance	4 ohms
Frequency response -6dB half space	40Hz - 110Hz
Average Sensitivity	99dB/W/m
Calculated Maximum SPL / 1m	132dB continuous 135dB Program 138dB Peak
Recommended low cut filter	40Hz 24dB/oct
Recommended amplifier	Up to 4000W (no clip)
Low Frequency driver	Custom Premium CELESTION 2x15" (4" VC long excursion)
Connectors	NEUTRIK Speakon NI4
Pole mount	35mm top hat
Cabinet	CNC made with tongue & groove assembly 15 and 18mm Russian birch plywood
Finish	Touring grade coating with textured black mat finish, Scratch Resistant coating
Size (WxHxD)	775x510x710mm 30.6"x20.0"x28.0"
Weight	57Kg(125.7lbs)

DRAWING



SW 215s

WIRING

