



## KEY FEATURES

- The highest SPL of the category
- Real 1000W RMS power capacity
- Top of the Line performance and reliability
- Highly dynamic and holographic reproduction
- Premium custom made Neodymium European drivers
- Aquaplasted TC4 Diaphragm for ultra smooth HF reproduction
- Proprietary 60° x 40° constant directivity rotatable horn
- Touring grade textured black paint finish

## SPECIFICATIONS

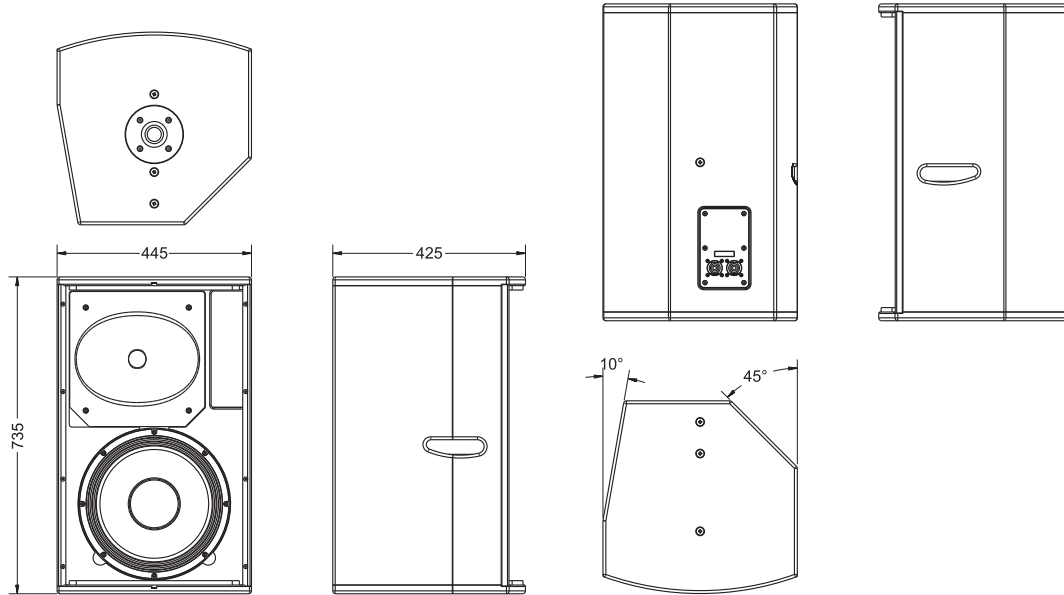
Power Handling	1000W RMS (AES) 2000W Program / 4000W Peak
Nominal impedance	8 ohms
Frequency response -6dB half space	46Hz - 20 KHz
Average Sensitivity	99dB/W/m
Calculated Maximum SPL / 1m	129dB continuous 132dB Program 135dB Peak
Nominal Directivity	80°x50°, CD Horn
Recommended low cut filter	45Hz 24dB/oct in full range mode 75-120Hz with subwoofer
Recommended amplifier	Up to 2000W (no clip) in specified frequency response
Low Frequency driver	Custom made 15" CELTO Acoustique Neodymium magnet, 4" Voice coil
High Frequency driver	1.4" exit CELTO Acoustique Ferrite magnet, 2.8" Aquaplasted TC4 Diaphragm
Crossover	Crossover point 1.4KHz
Flying hardware	12 M8 with internal metal brackets
Connectors	2pcs NEUTRIK Speakon NL4 MP
Floor Monitor use	Yes
Pole mount	35mm top hat
Cabinet	CNC made with tongue & groove assembly 15 and 18mm Baltic birch plywood
Finish	Rubberised coarse sanded coating with textured black mat finish (Made in Europe)
Size (WxHxD)	445x735x425mm 17.5"x28.9"x16.7"
Weight	26Kg (57.3lbs)

## APPLICATIONS

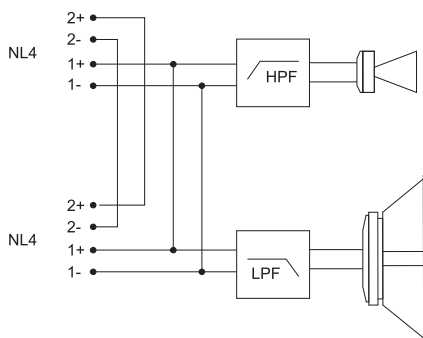
The ZX15 Loudspeaker is a 15" Two-way Touring Grade Loudspeaker suitable for

- Main PA Sound Reinforcement for Live Outdoor applications
- As Main PA for Auditoriums, Clubs, Lounge Bars, Seminar Training & AV rooms
- Indoor / Outdoor DJ and Live Club Applications
- All kinds of stage monitoring applications
- As fill Loudspeakers for main PA, Under balcony or above balcony applications
- AV presentations for rental companies

## DRAWING



## WIRING



## MEASUREMENT

