



KEY FEATURES

- The highest SPL of the category
- Real 800W RMS power capacity
- Top of the Line performance and reliability
- Highly dynamic and holographic reproduction
- Premium custom made European drivers
- Aquaplasted TC4 Diaphragm for ultra smooth HF reproduction
- Proprietary 60° x 40° constant directivity rotatable horn
- Touring grade textured black paint finish

SPECIFICATIONS

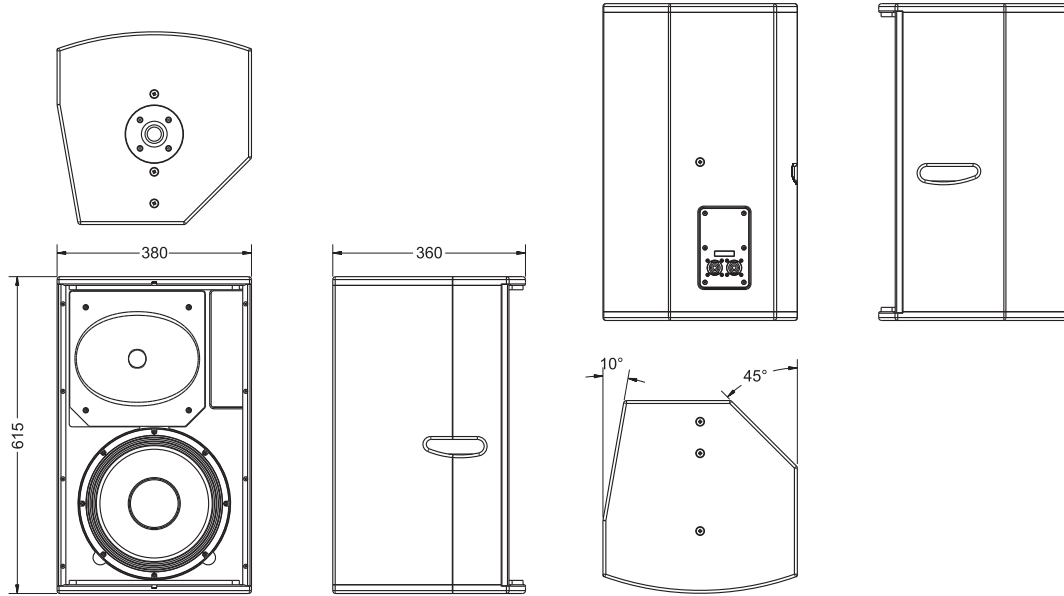
Power Handling	800W RMS 1600W Program / 3200W Peak
Nominal impedance	8 ohms
Frequency response -6dB half space	58Hz - 20 KHz
Average Sensitivity	97dB/W/m
Calculated Maximum SPL / 1m	126dB continuous 129dB Program 132dB Peak
Nominal Directivity	60°x40° above 1000Hz
Recommended low cut filter	50Hz 24dB/oct in full range mode 80-125Hz with subwoofer
Recommended amplifier	Up to 1600W (no clip) in specified frequency response
Low Frequency driver	Custom Premium 1x12"(4" VC)
High Frequency driver	Custom Premium 1.4" Exit (3" VC)
Crossover	Passive 1.5KHz
Flying hardware	8 M8 Points
Connectors	Heavy duty NEUTRIK Speakon
Floor Monitor use	Yes
Pole mount	35mm top hat
Cabinet	CNC made with tongue & groove assembly 15 and 18mm Baltic birch plywood
Finish	Rubberised coarse sanded coating with textured black mat finish (Made in Europe)
Size (WxHxD)	380x615x360mm 15.0"x24.2"x14.2"
Weight	27Kg (59.5lbs)

APPLICATIONS

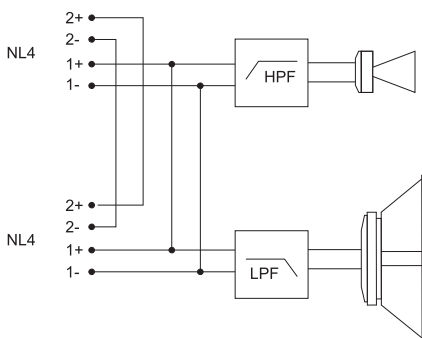
The ZX12 Loudspeaker is a 12" Two-way Touring Grade Loudspeaker suitable for

- Main PA Sound Reinforcement for Live Outdoor applications
- As Main PA for Auditoriums, Clubs, Lounge Bars, Seminar Training & AV rooms
- Indoor / Outdoor DJ and Live Club Applications
- All kinds of stage monitoring applications
- As fill Loudspeakers for main PA, Under balcony or above balcony applications
- AV presentations for rental companies

DRAWING



WIRING



MEASUREMENT

