



## KEY FEATURES

- High Power 300W RMS power capacity
- Extremely Smooth Sounding fullrange Loudspeaker
- High quality custom premium European drivers
- Proprietary 90°x60° rotatable horn
- HF – High Power Compression Driver with 1.7" VC
- Multi purpose cabinet design for FOH or Monitor use
- Birch plywood cabinet
- Touring grade coating with textured black mat finish, Scratch Resistant Coating
- Tropicalized moisture free construction (hardware and drivers)
- Comprehensive flying hardware (M8 points)

## APPLICATIONS

The QX 8mkII Loudspeaker is a 8 " Two-way Loudspeaker suitable for

- As Main PA for Seminar Training rooms, Class rooms, Clubs, Lounges, Restaurants, AV rooms & Gyms.
- Small stage monitor and personal monitor applications.
- As fill Loudspeakers for under balcony, above balcony and front fill for Auditoriums.
- AV presentations for rental companies
- Large Home Theater

## SPECIFICATIONS

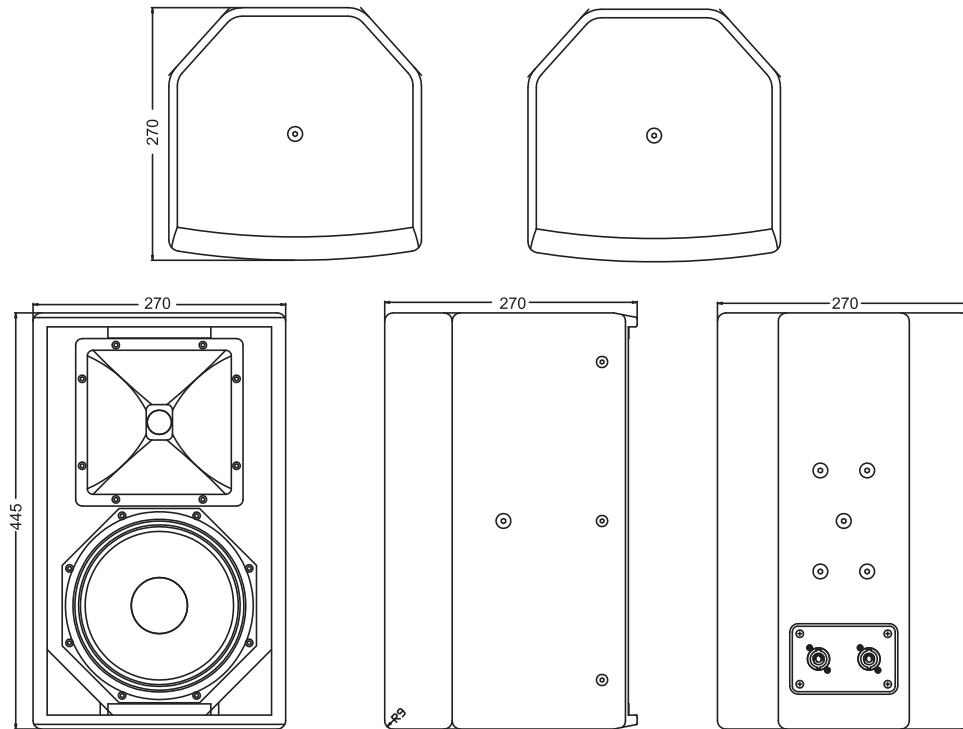
Power Handling	300W RMS (AES) 600W Program / 1200W Peak
Nominal impedance	8 ohms
Frequency response -6dB half space	57Hz - 20 KHz
Average Sensitivity	95dB/W/m
Calculated Maximum SPL / 1m	120dB continuous 123dB Program 126dB Peak
Nominal Directivity	90°x60°
Recommended low cut filter	60Hz 24dB/oct in full range mode 75-130Hz with subwoofer
Recommended amplifier	Up to 600W (no clip) in specified frequency response
Low Frequency driver	Celto Acoustique 1x8"(2" VC)
High Frequency driver	Celto Acoustique 1" Exit (1.7" VC)
Crossover	1.8 KHz Passive
Flying hardware	9 M8 Points
Connectors	NEUTRIK Speakon NL4 MP
Floor Monitor use	Yes (both sides)
Pole mount	35mm top hat
Cabinet	CNC made with tongue & grove assembly 15 and 18mm Russian birch plywood
Finish	Touring grade coating with textured black mat finish, Scratch Resistant coating
Size (WxHxD)	270x445x270mm 10.6"x17.5"x10.6"
Weight	12Kg(26.5lbs)

# VAL audio

# QX 8mkII

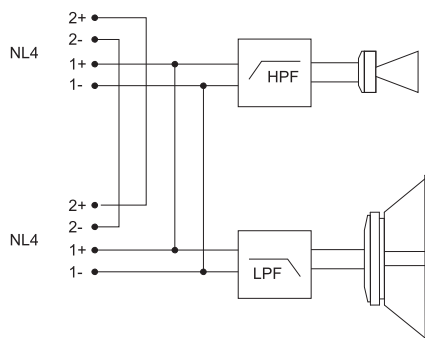
High Quality Two - Way Multipurpose  
Loudspeaker

## DRAWING



QX 8mkII

## WIRING



## MEASUREMENT

