



## KEY FEATURES

- Multipurpose Satellite Loudspeaker
- High Power 200W RMS power capacity
- Extremely Smooth Sounding Loudspeaker
- High quality custom premium European drivers
- Conical 80°x80° horn
- Coaxial HF Compression Driver with 1.7" Diaphragm
- Birch plywood cabinet
- Textured waterborne coating with black mat finish, Scratch Resistant Coating
- Tropicalized moisture free construction (hardware and drivers)
- Flying hardware 6 M8 with internal metal brackets.

## APPLICATIONS

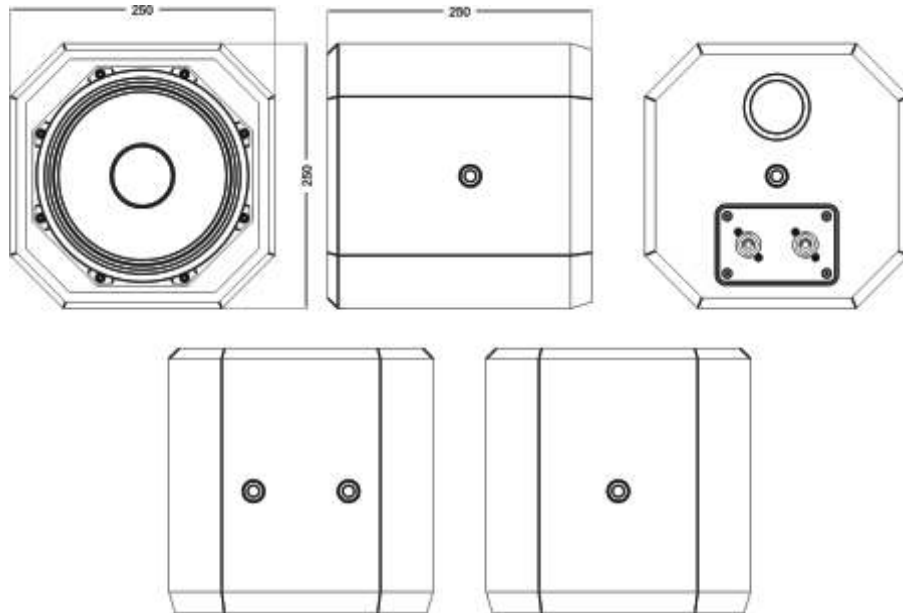
The iComm8CX Loudspeaker is a 8" Two-way coaxial Loudspeaker suitable for

- Main PA for Seminar Training rooms, Class rooms, Restaurants, AV rooms & Gyms.
- As fill Loudspeakers for Clubs, Lounges, under balcony, above balcony and front fill for Auditoriums.
- Large Home Theater systems and surround speaker
- Main PA for Clubs, Lounges, Bars used along with subwoofer

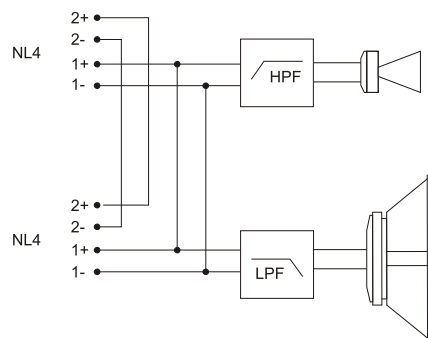
## SPECIFICATIONS

Power Handling	200W RMS (AES) 400W Program / 800W Peak
Nominal impedance	12 ohms
Frequency response -6dB half space	75Hz - 20 KHz
Average Sensitivity	94dB/W/m
Calculated Maximum SPL / 1m	117dB continuous 120dB Program 123dB Peak
Nominal Directivity	80°x80°
Recommended low cut filter	75-130Hz with subwoofer
Recommended amplifier	Up to 400W (no clip) in specified frequency response
Low Frequency driver	Celto Acoustique 1x8"(2" VC)
High Frequency driver	Celto Acoustique Coaxial HF 1" Exit (1.7" VC)
Crossover	2.4 KHz Passive
Flying hardware	6 M8 Points
Connectors	NEUTRIK Speakon NL4 MP
Floor Monitor use	No
Pole mount	No
Cabinet	CNC made with tongue & groove assembly 15 and 18mm Russian birch plywood
Finish	Textured waterborne coating with black mat finish, Scratch Resistant Coating
Size (WxHxD)	250x250x250mm 09.8"x09.8"x09.8"
Weight	7Kg(15.4lbs)

## DRAWING



## WIRING



## MEASUREMENT

