



## KEY FEATURES

- Multipurpose fullrange Loudspeaker
- High Power 150W RMS power capacity
- Extremely Smooth Sounding Loudspeaker
- High quality custom premium European drivers
- Proprietary 90°x60° rotatable horn
- HF - High Power Compression Driver with 1.3" Diaphragm
- Birch plywood cabinet
- Touring grade coating with textured black mat finish, Scratch Resistant Coating
- Tropicalized moisture free construction (hardware and drivers)
- Comprehensive flying hardware (M8 points)

## APPLICATIONS

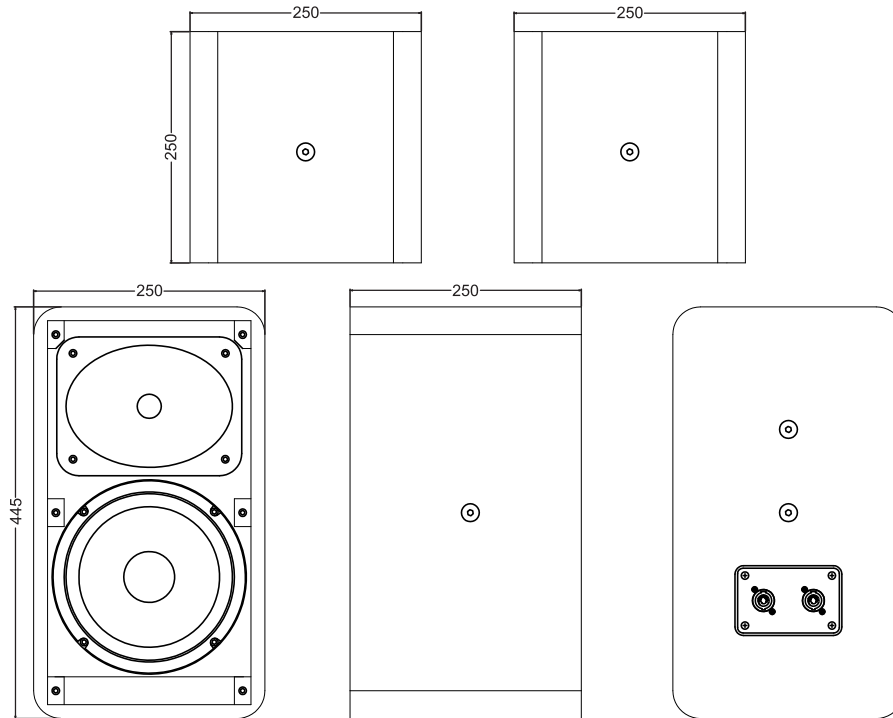
The iComm8 Loudspeaker is a 8" Two-way Loudspeaker suitable for

- Main PA for Seminar Training rooms, Class rooms, Clubs, Lounges, Restaurants, AV rooms & Gyms.
- Personal monitor applications.
- As fill Loudspeakers for under balcony, above balcony and front fill for Auditoriums.
- Large Home Theater systems and surround speaker

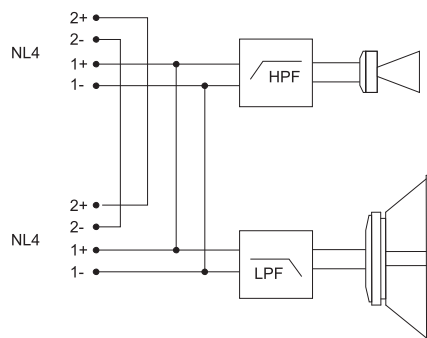
## SPECIFICATIONS

Power Handling	150W RMS (AES) 300W Program / 600W Peak
Nominal impedance	8 ohms
Frequency response -6dB half space	48Hz - 20 KHz
Average Sensitivity	93dB/W/m
Calculated Maximum SPL / 1m	115dB continuous 118dB Program 121dB Peak
Nominal Directivity	90°x60°
Recommended low cut filter	50Hz 24dB/oct in full range mode 75-130Hz with subwoofer
Recommended amplifier	Up to 300W (no clip) in specified frequency response
Low Frequency driver	Celto Acoustique 1x8"(2" VC)
High Frequency driver	Celto Acoustique 1" Exit (1.3" VC)
Crossover	2 KHz Passive
Flying hardware	6 M8 Points
Connectors	NEUTRIK Speakon NL4 MP
Floor Monitor use	No
Pole mount	No
Cabinet	CNC made with tongue & groove assembly 15 and 18mm Russian birch plywood
Finish	Touring grade coating with textured black mat finish, Scratch Resistant coating
Size (WxHxD)	250x445x250mm 09.8"x17.5"x09.8"
Weight	10Kg(22.0lbs)

## DRAWING



## WIRING



## MEASUREMENT

